

# Treatment Unit Tank Volume 3000 L

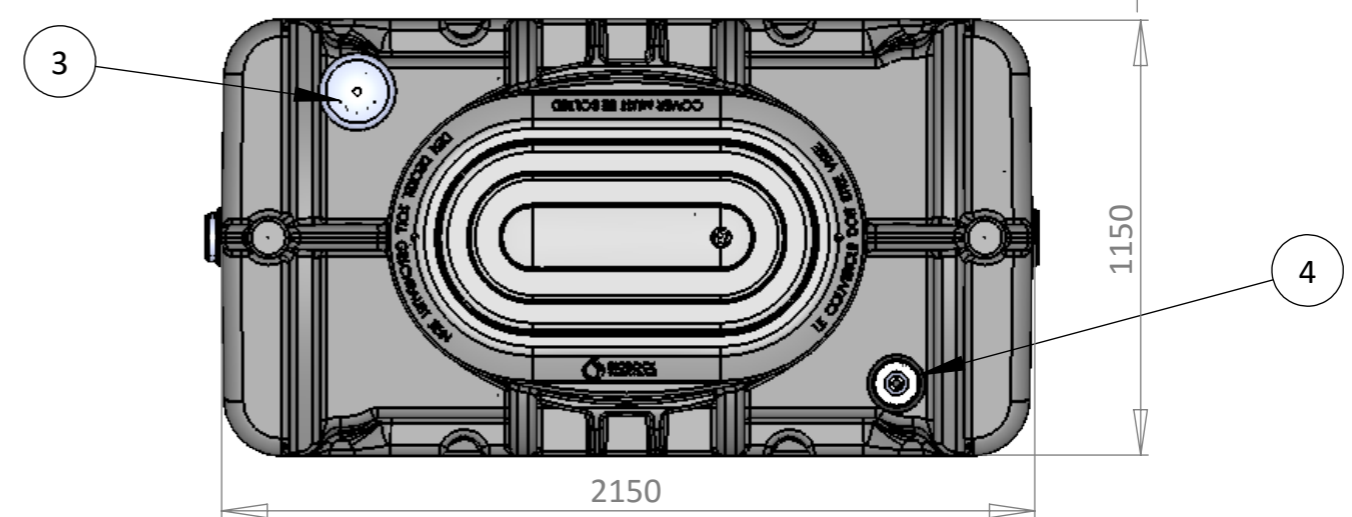
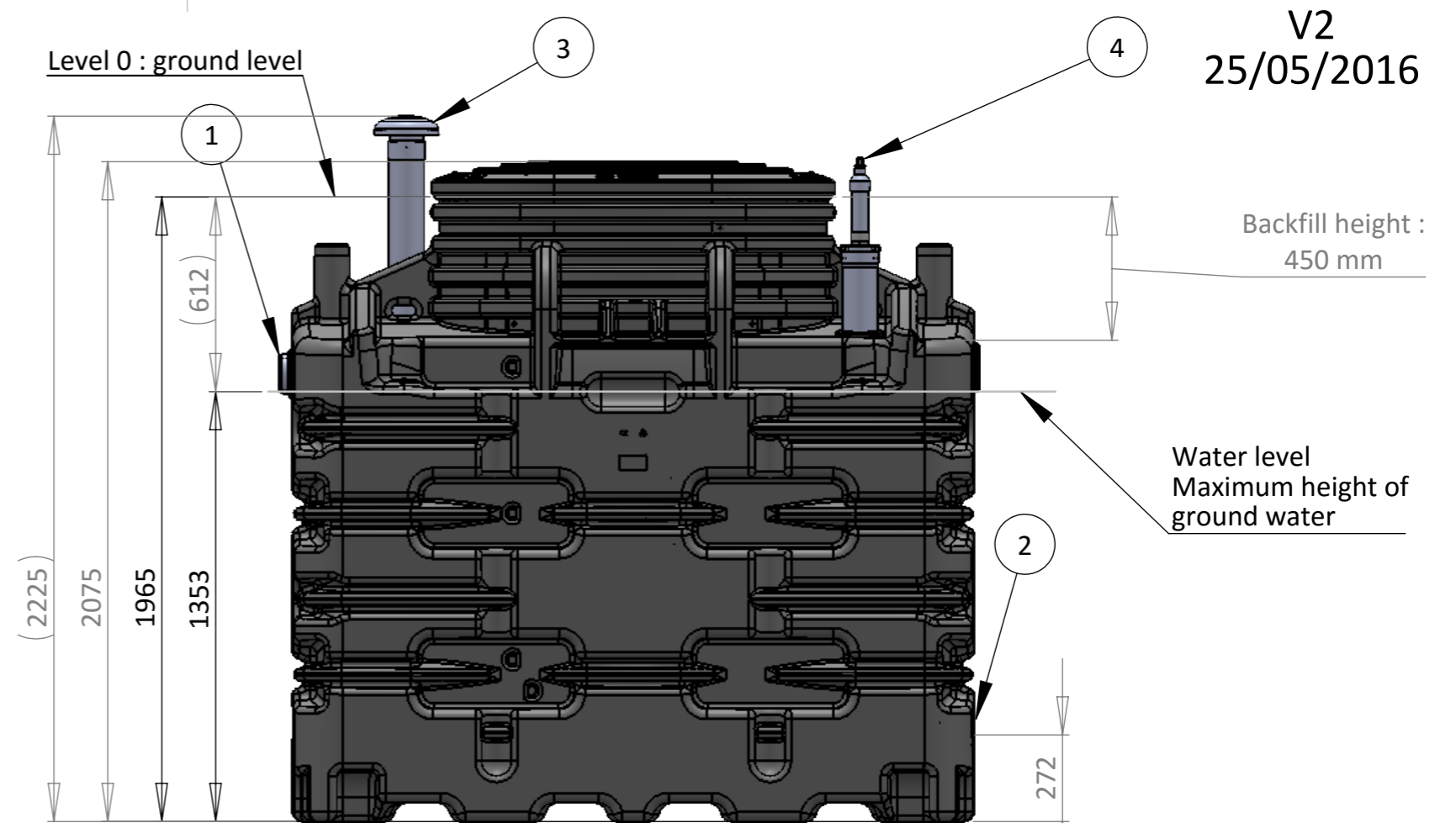
1	Water inlet
2	Water outlet
3	Air inlet
4	Overflow Alarm

Characteristics	Value	Unit
<b>Treatment Unit</b>		
Minimum volume of pre-treatment*		liters/PE
Capacity in population equivalent		PE
Daily volume of wastewater **		liters/day/PE
Daily hydraulic load		m <sup>3</sup> /day
Organic load per PE		gr.BOD <sub>5</sub> /PE/day
Organic load raw effluent up to		kg BOD <sub>5</sub> /day
Specification	Value	Unit
Volume tank	3000	Liters
Overall length	2150	mm
Overall width	1150	mm
Total height of the tank	2075	mm
Overall height (+ventilation pipe)	2225	mm
Total weight (without water)	200	Kg
Pipe diameter	110	mm

This treatment unit can be installed in high ground water table.

\*minimum 2000 liters of pre-treatment

\*\*according to DIN EN 12566-3



Overall tolerance : 3%

V2  
25/05/2016

Service :

ORIGINATOR			
NAME	SIGNATURE	DATE	
AUTHOR TC		29/04/2016	
APPROV.			
CHANGES			
NAME	SIGNATURE	DATE	TITLE:
AUTHOR AQ		25/05/2016	
APPROV.			
CHANGES			
AUTHOR			Nb. of PLAN
APPROV.			UT-X3000.2

SCALE:1:20

A3

